

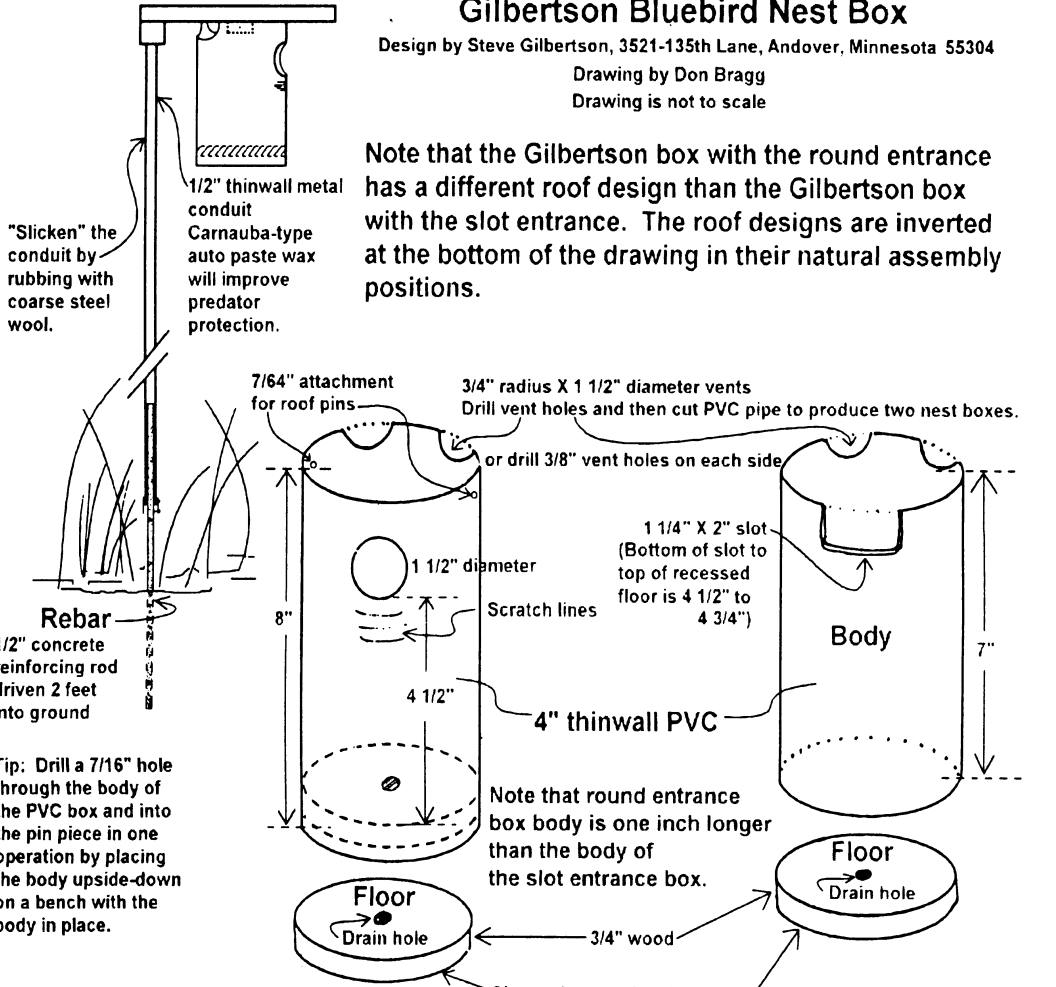
Gilbertson Bluebird Nest Box

Design by Steve Gilbertson, 3521-135th Lane, Andover, Minnesota 55304

Drawing by Don Bragg

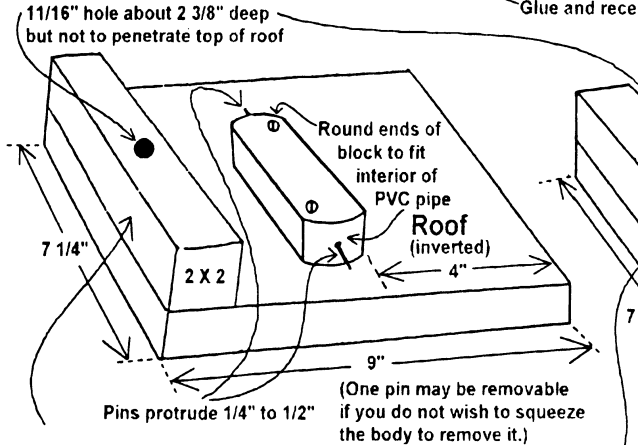
Drawing is not to scale

Note that the Gilbertson box with the round entrance has a different roof design than the Gilbertson box with the slot entrance. The roof designs are inverted at the bottom of the drawing in their natural assembly positions.



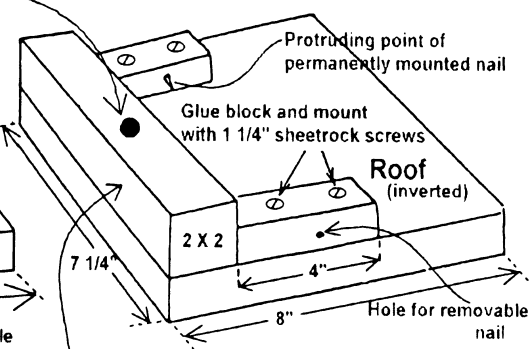
Tip: Drill a 7/16" hole through the body of the PVC box and into the pin piece in one operation by placing the body upside-down on a bench with the body in place.

Note that round entrance box body is one inch longer than the body of the slot entrance box.



Fasten 2" X 2" end support from top using 1 1/2" screws and exterior glue

Roof designed for squeeze opening attachment to round entrance PVC nest box



Roof with removable pin designed for slot entrance PVC nest box